

Object name skirt (replica)

Date 1740-1780

Inventory number T11/371/B38



Persistent identifier (object): <http://data.momu.be/ark:34546/mpg4vg>

Persistent identifier (pattern): <http://data.momu.be/ark:34546/m9cp37>

Credits: CC BY

Stijn Van den Bulck

MoMu



With the support of the
Flemish Government

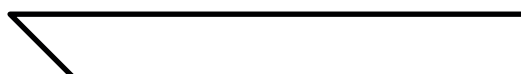
- all patterns are without seam allowances
- for referential images please check the website via the QR code
- always print at 100% scale and use test square to verify

test square
10 x 10 cm

test square
3 x 3 inch

Legend:

grainline





SKIRT (T11/371/B38)(REPLICA)

MOMU COLLECTION

MOMU / DRIES VAN NOTEN STUDY CENTER

Object name skirt (replica)

Date 1740-1780

Inventory number T11/371/B38



Persistent identifier (object): <http://data.momu.be/ark:34546/mpg4vg>

Persistent identifier (pattern): <http://data.momu.be/ark:34546/m9cp37>

Credits: CC BY

Stijn Van den Bulck

MoMu



With the support of the
Flemish Government

- all patterns are without seam allowances
- for referential images please check the website via the QR code
- always print at 100% scale and use test square to verify

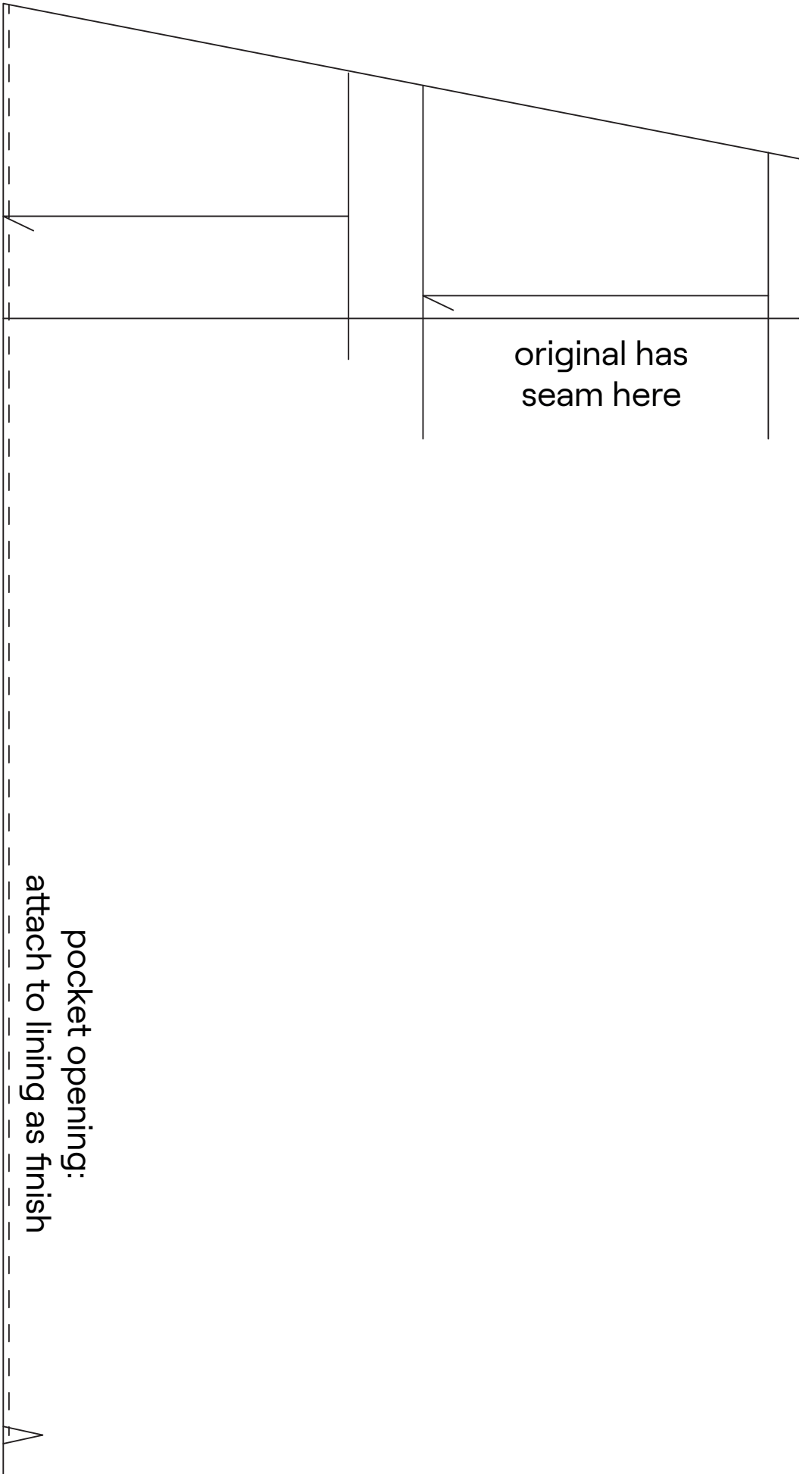
test square
10 x 10 cm

test square
3 x 3 inch

Legend:

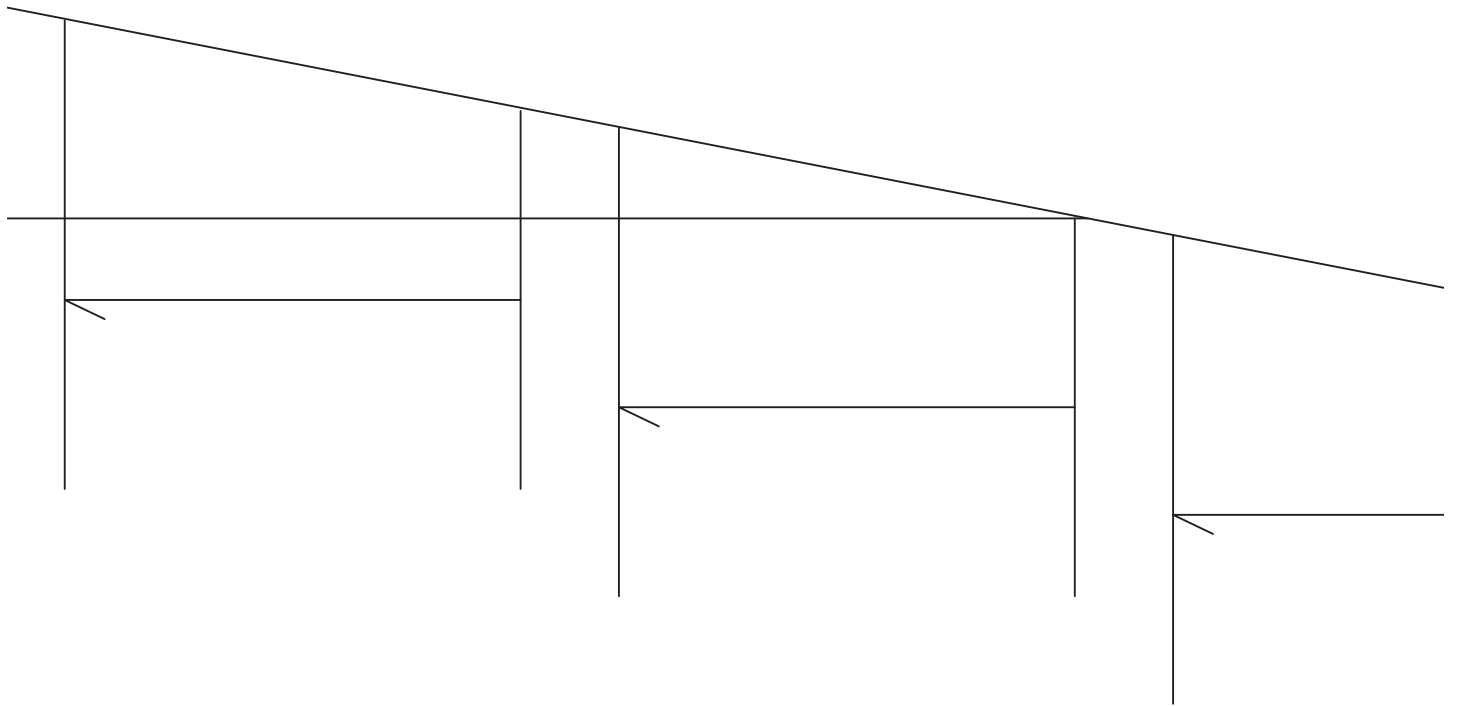
grainline



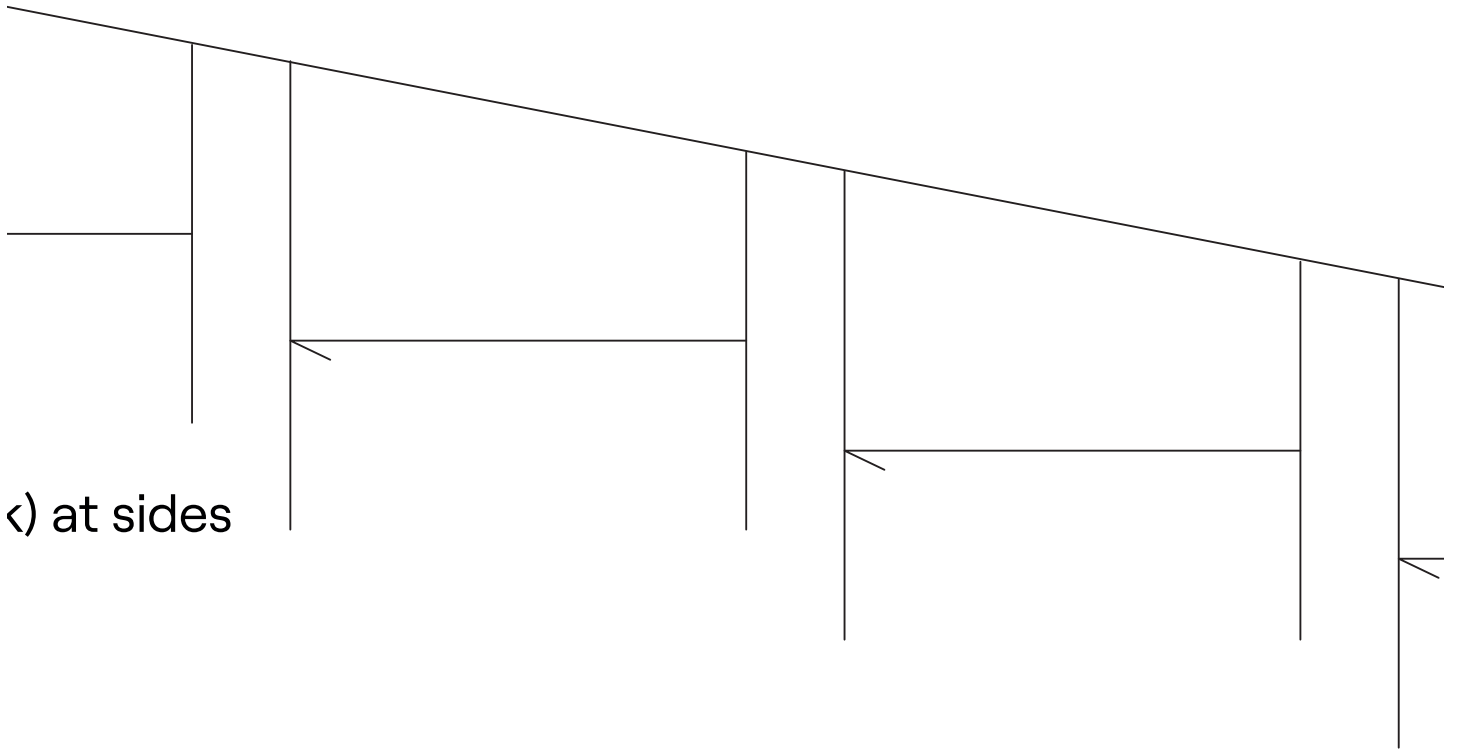


original has
seam here

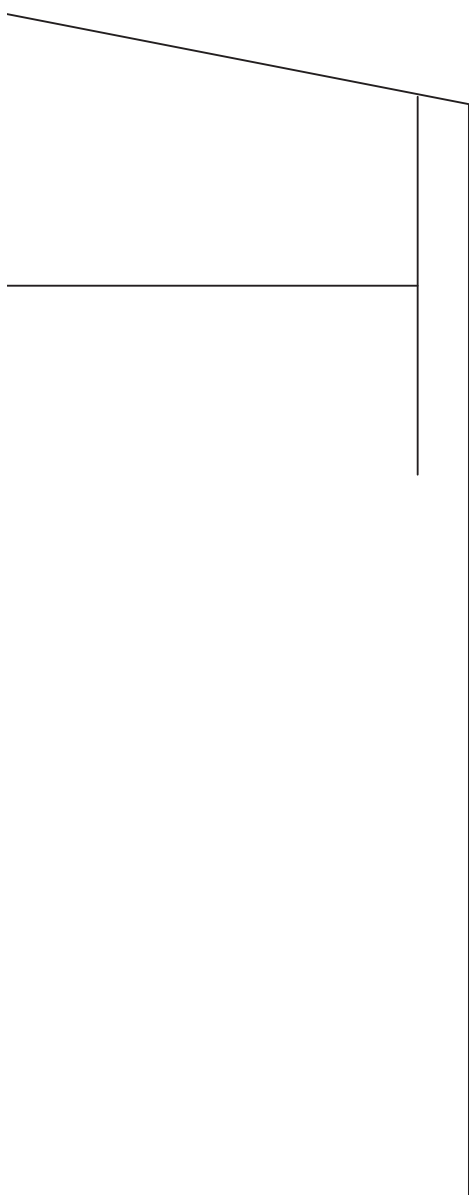
pocket opening:
attach to lining as finish



waist has 1cm seam allowance
finished with bias and hook (front) and eye (back)
for closure



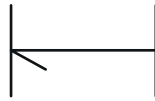
<) at sides



notch



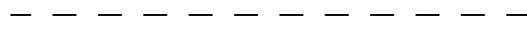
pleat + direction



button / hook and eye



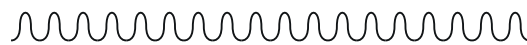
topstitching / embellishment



fold line



gathering



Measurements:

front length	91,5 cm
back length	94,5 cm
waist (circumference)	70 cm



1x FABRIC

CUT 1x LINING







lining has no seam here

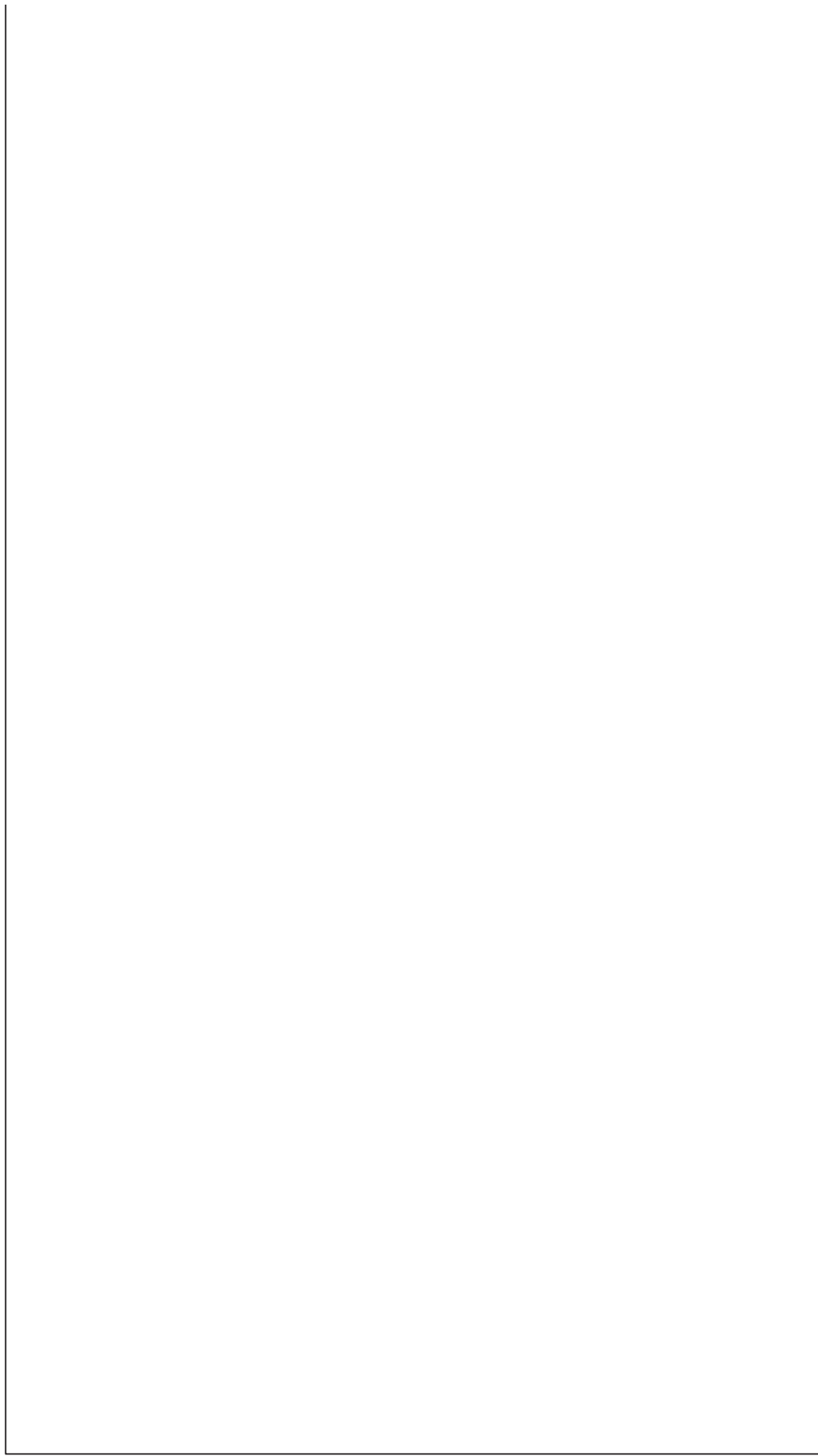
SKIRT (T11/371/B38)_FRONT RIGHT CUT



lining has no seam here

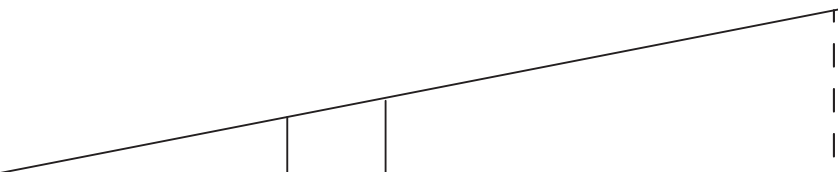


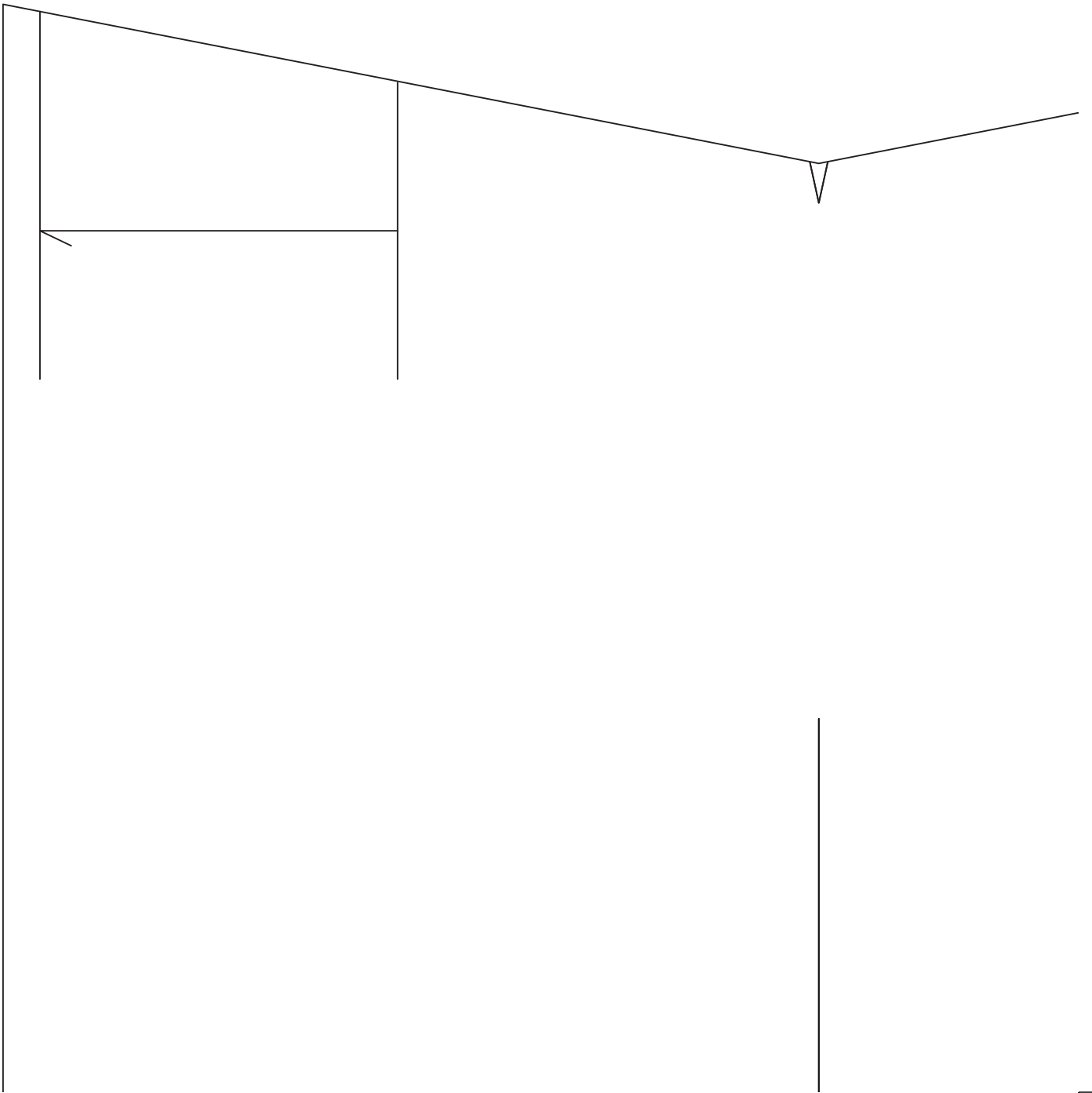


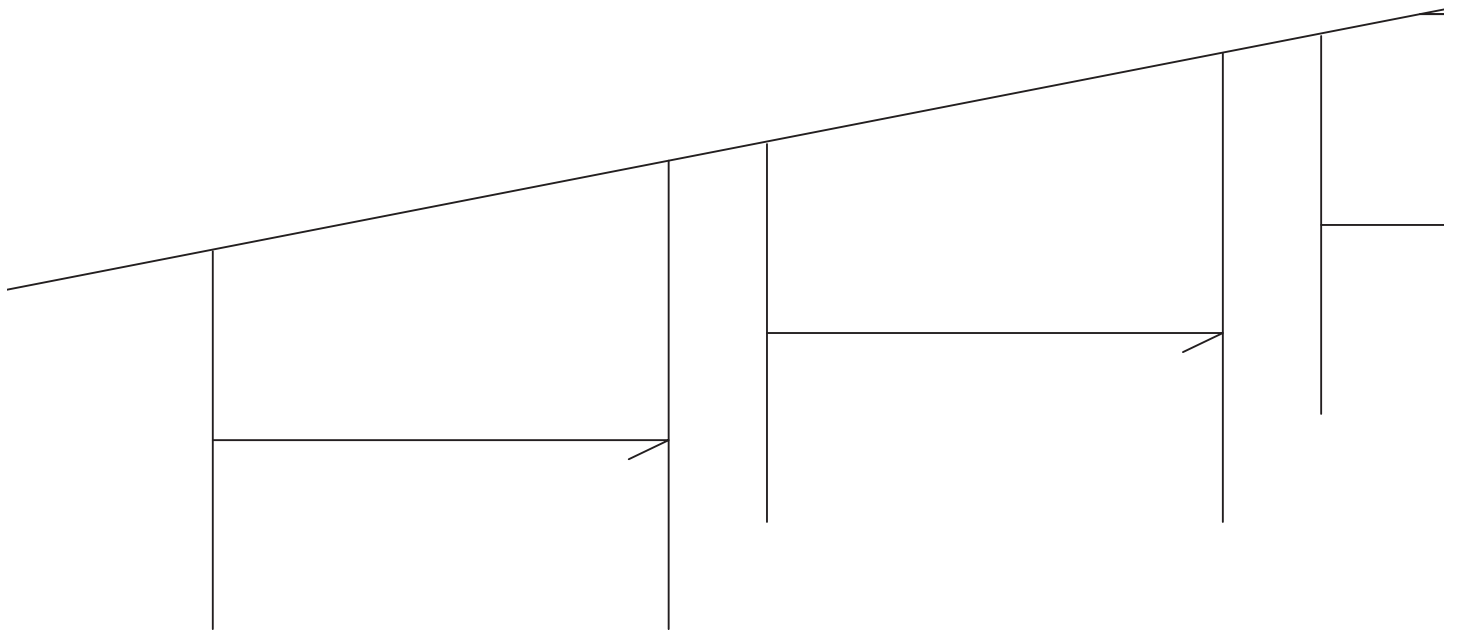






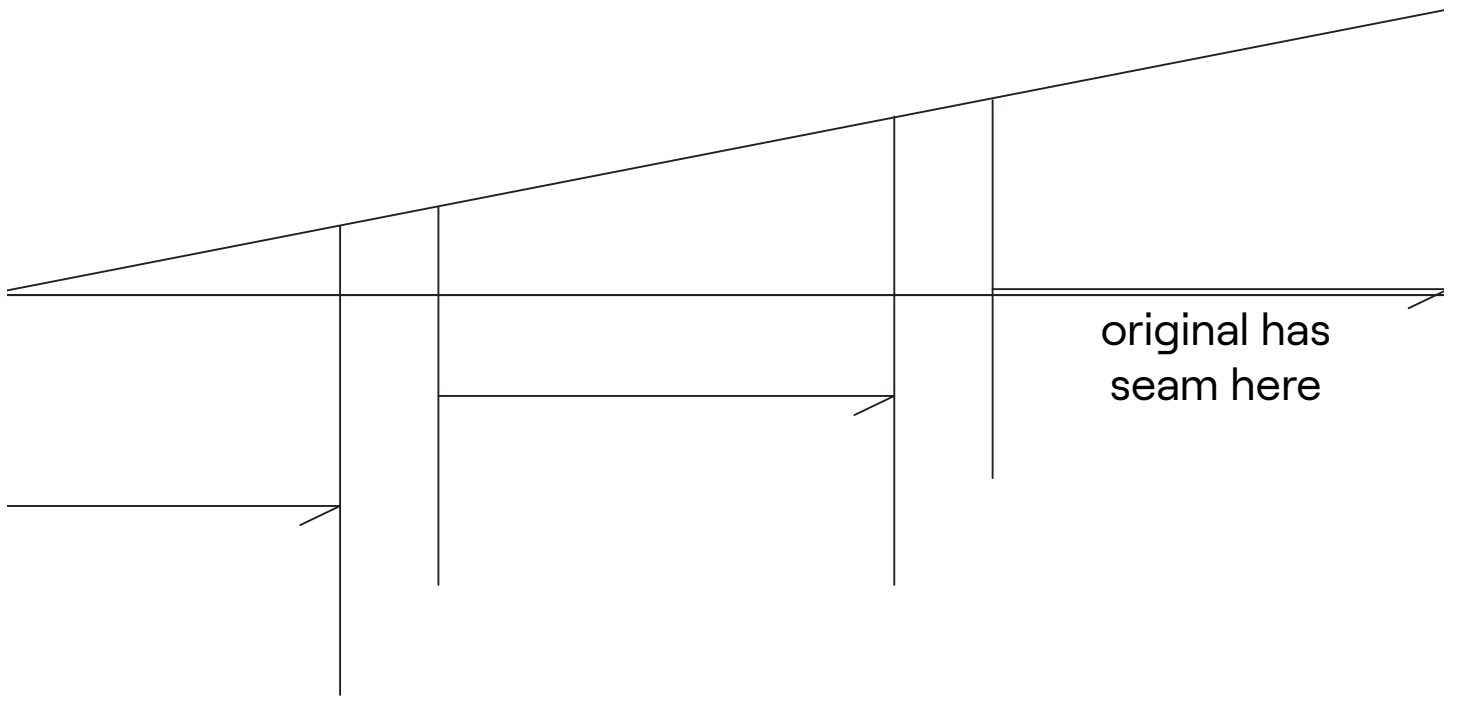




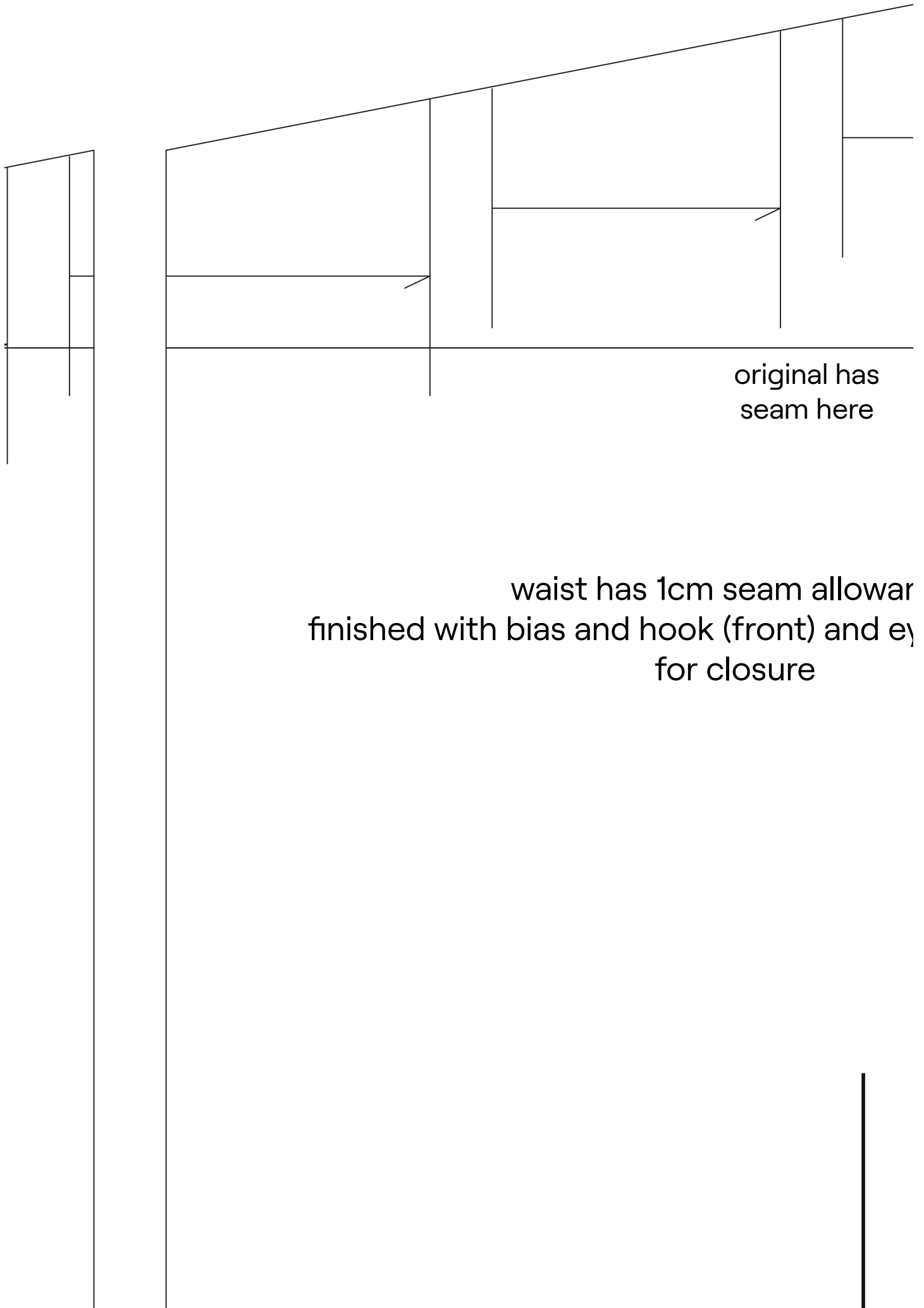


waist has 1cm seam allowance
finished with bias and hook (front) and eye (back) at sides
for closure





original has
seam here



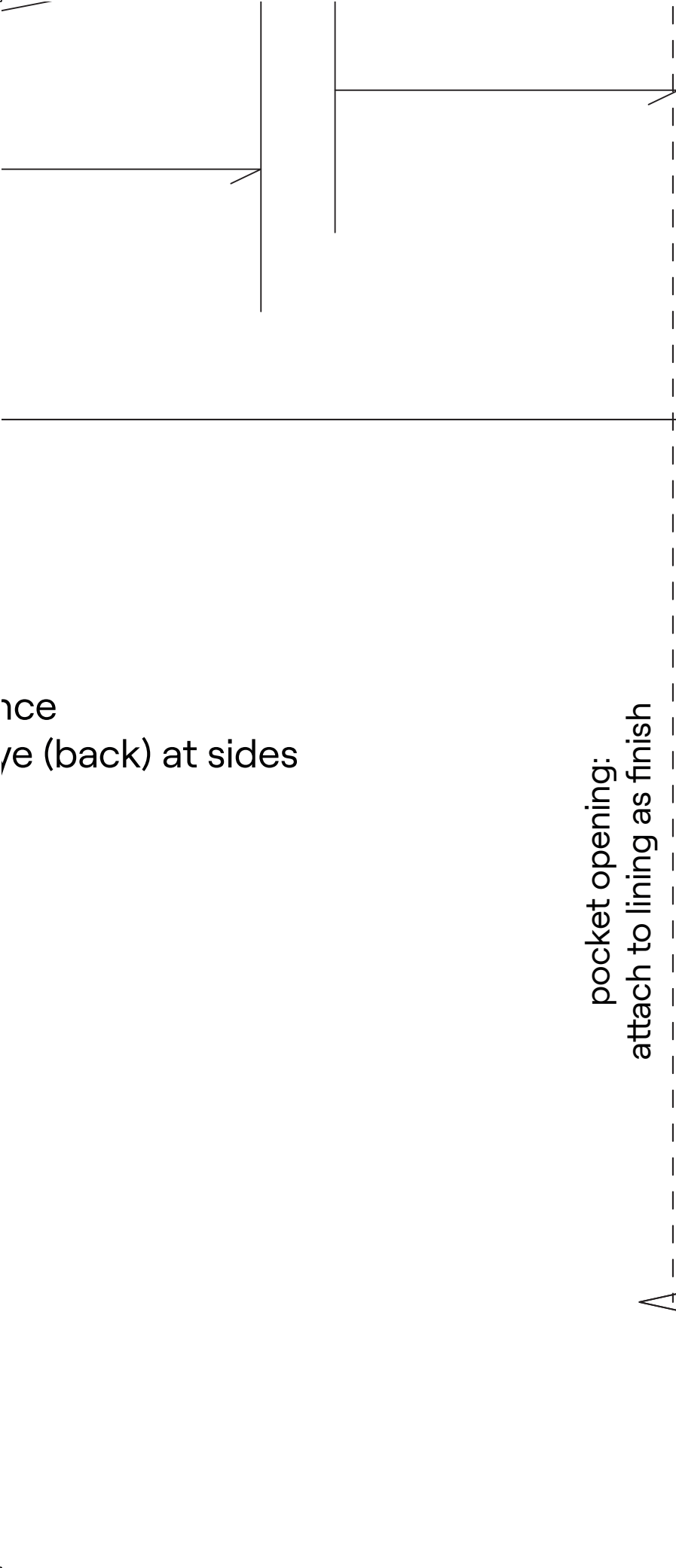
original has
seam here

waist has 1cm seam allowar
finished with bias and hook (front) and ey
for closure

rice
1/2" (back) at sides

pocket opening:
attach to lining as finish

A



lining has no sear

A

CUT 1x FABRIC

CUT 1x LINING





lining has no seam here

CUT 1x FABRIC

CUT 1x LINING



C.Front

n here



SKIRT (T11/371/B38)_FRONT CENTER

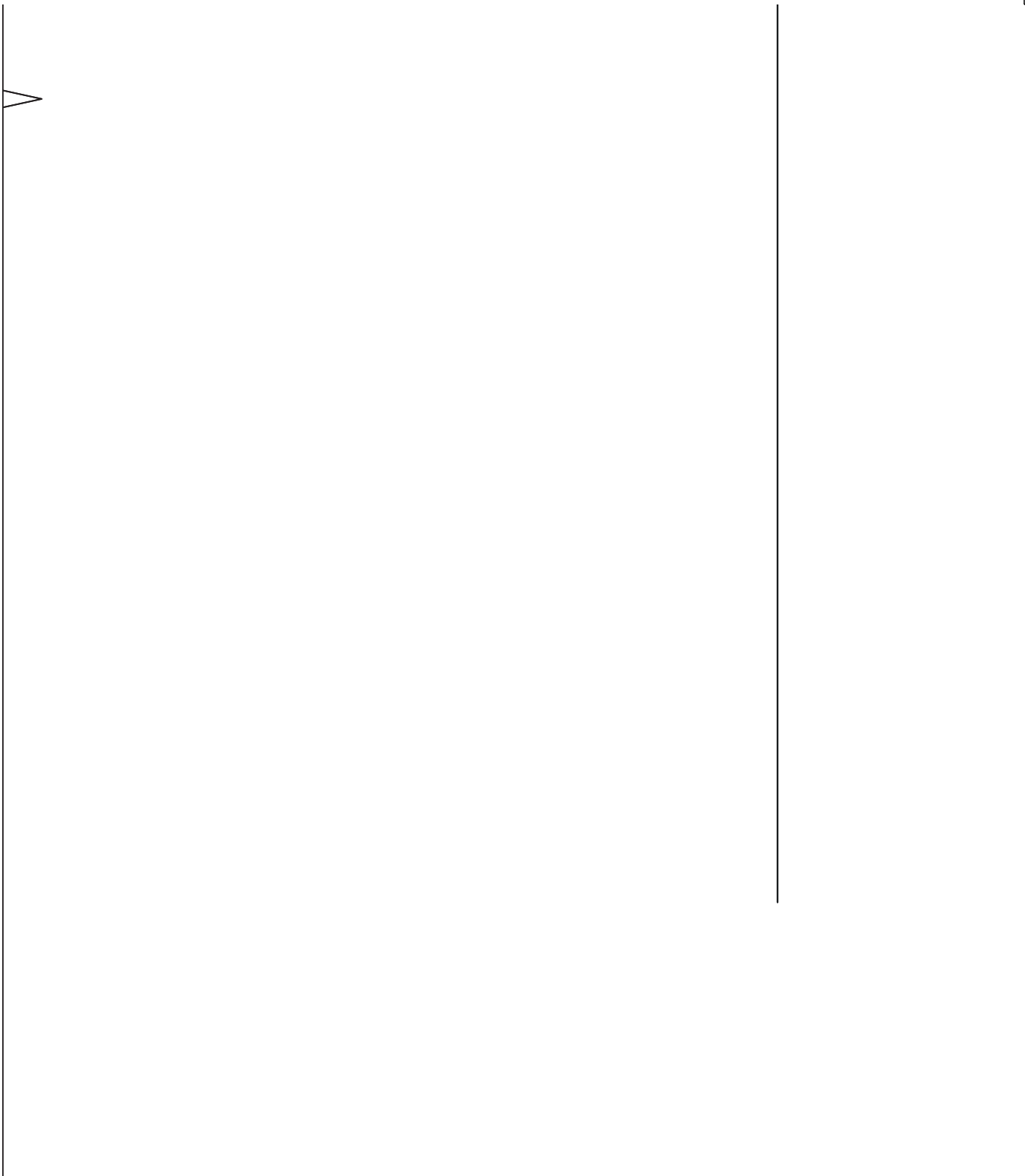


lining has no seam here



SKIRT (T11/371/B38)_FRONT LEFT

lining has seam here





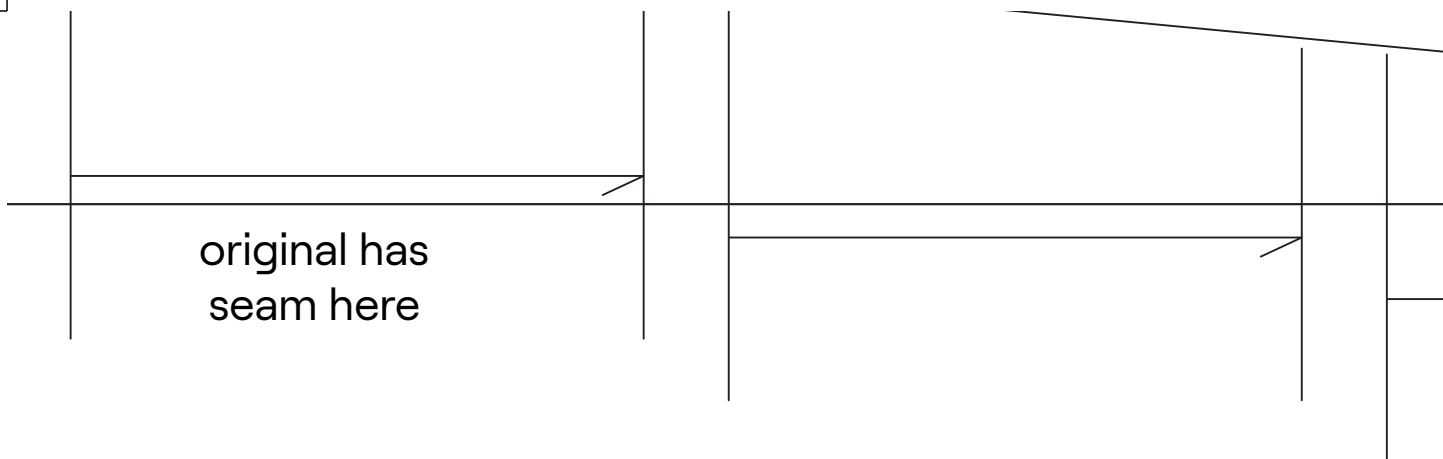




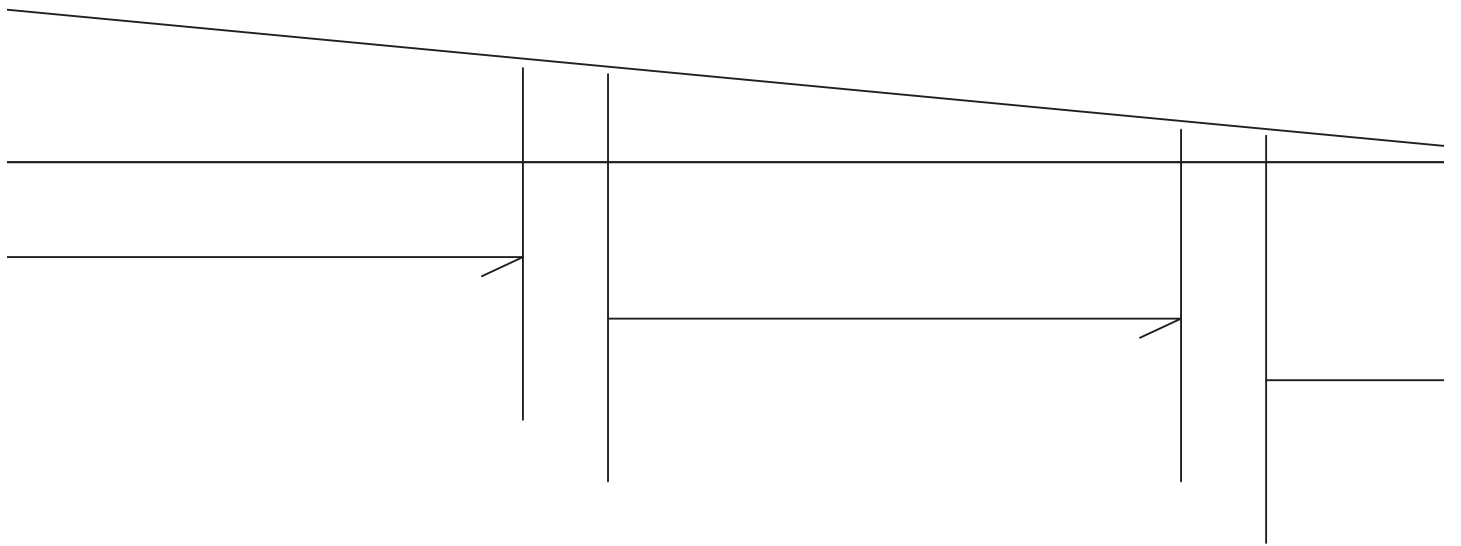


pocket opening:
attach to lining as finish



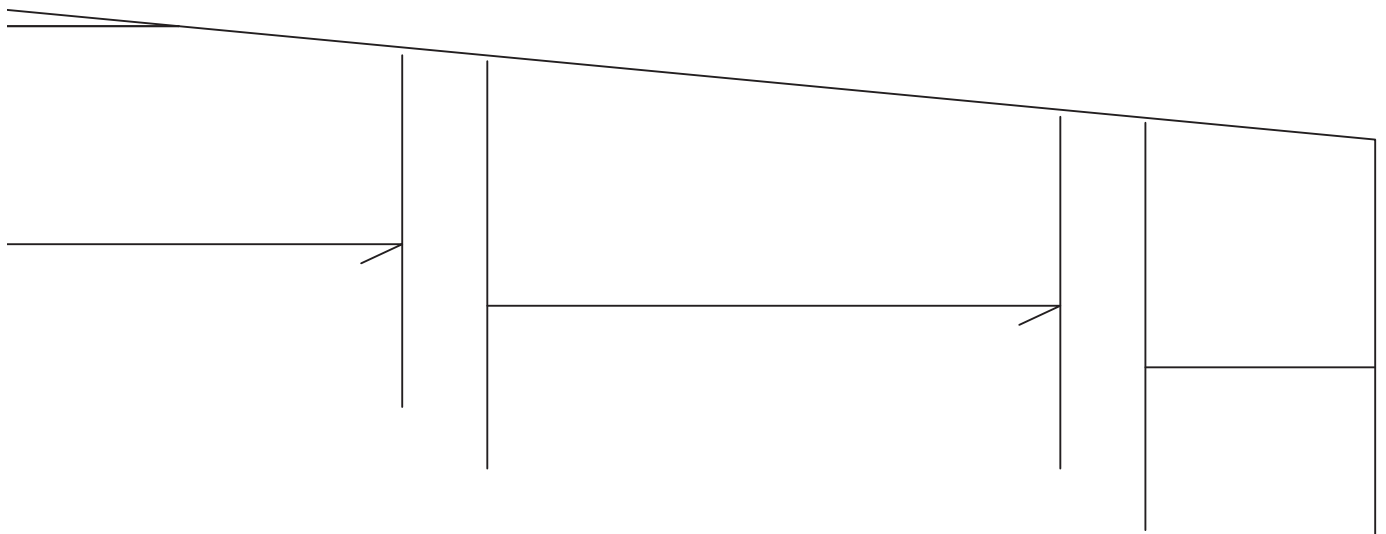


original has
seam here



waist has 1cm seam allowance
finished with bias and hook (front) and eye (back) at s
for closure





ides







CUT 1x FABRIC

CUT 1x LINING





lining has no seam here

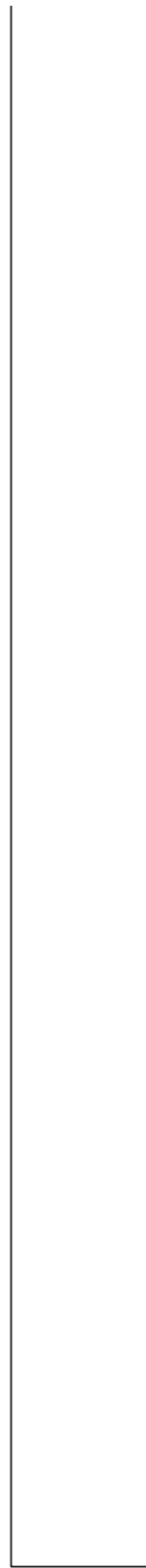


SKIRT (T11/371/B38)_BACK SIDE LEFT

lining has no seam here







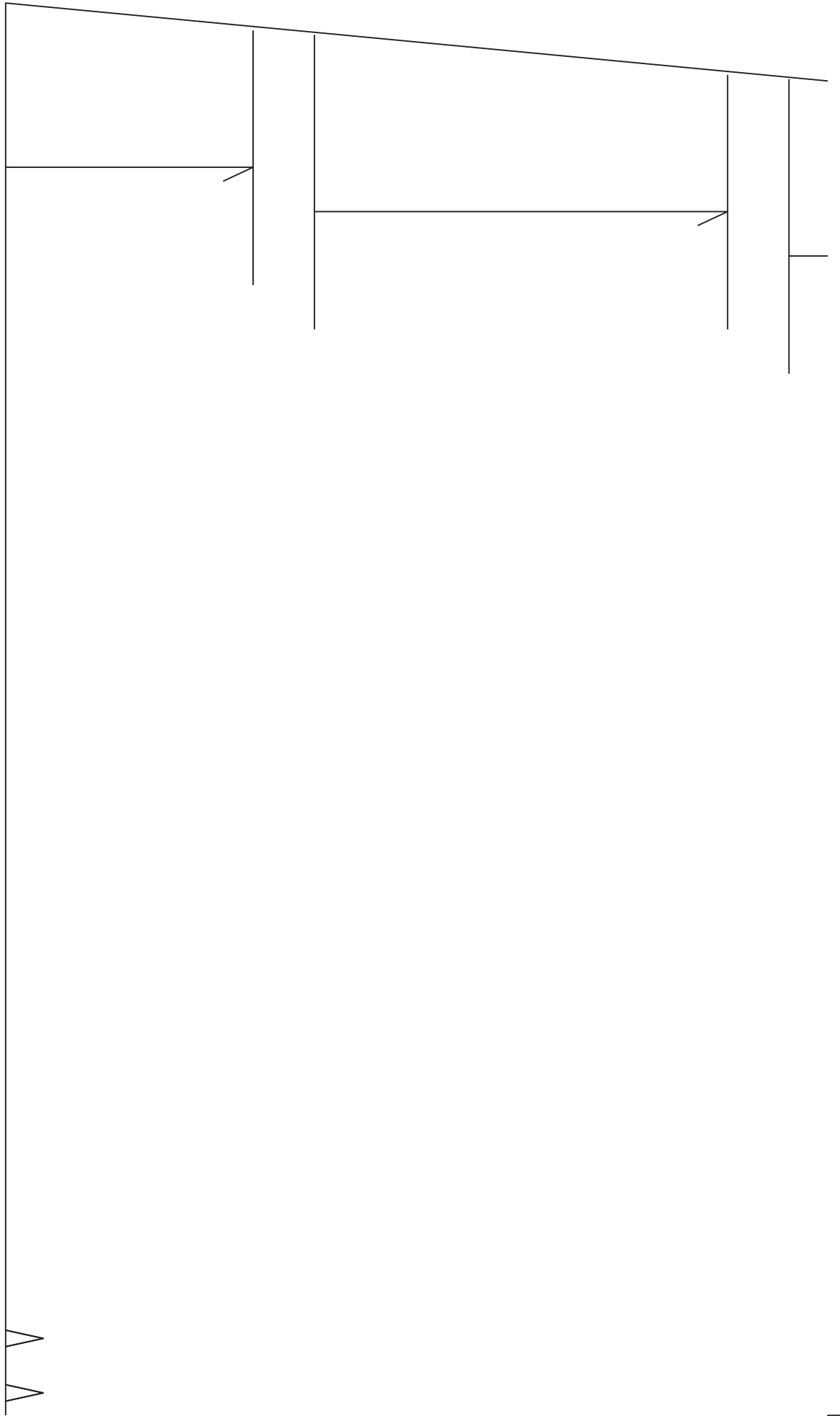


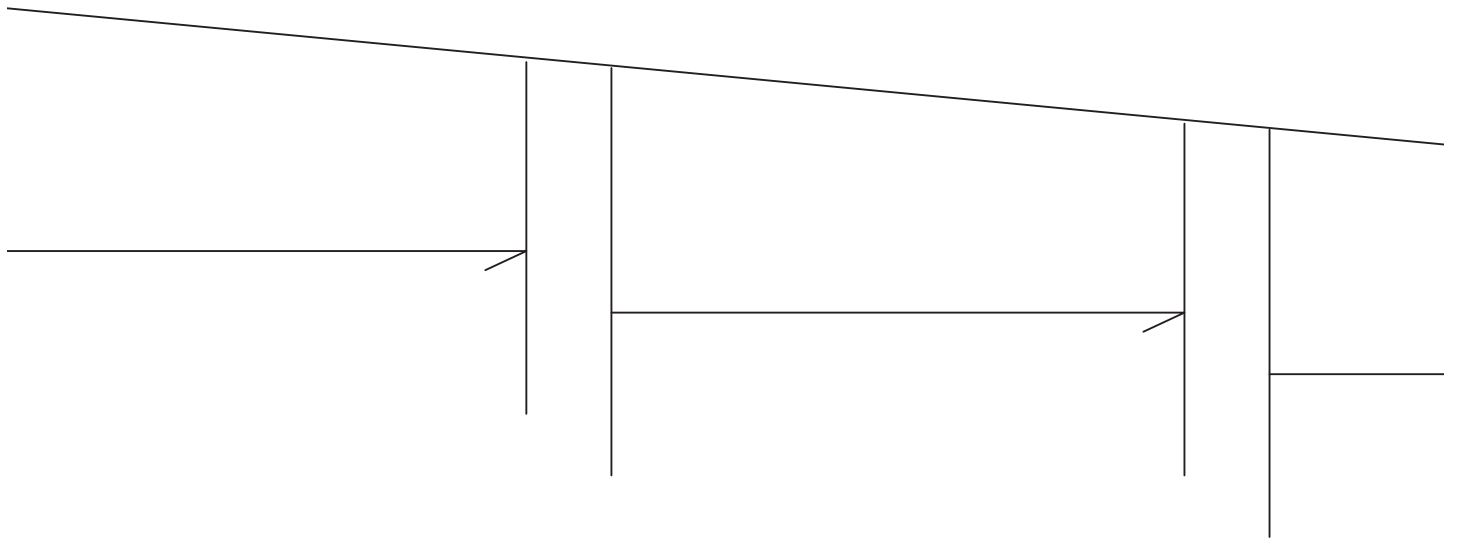






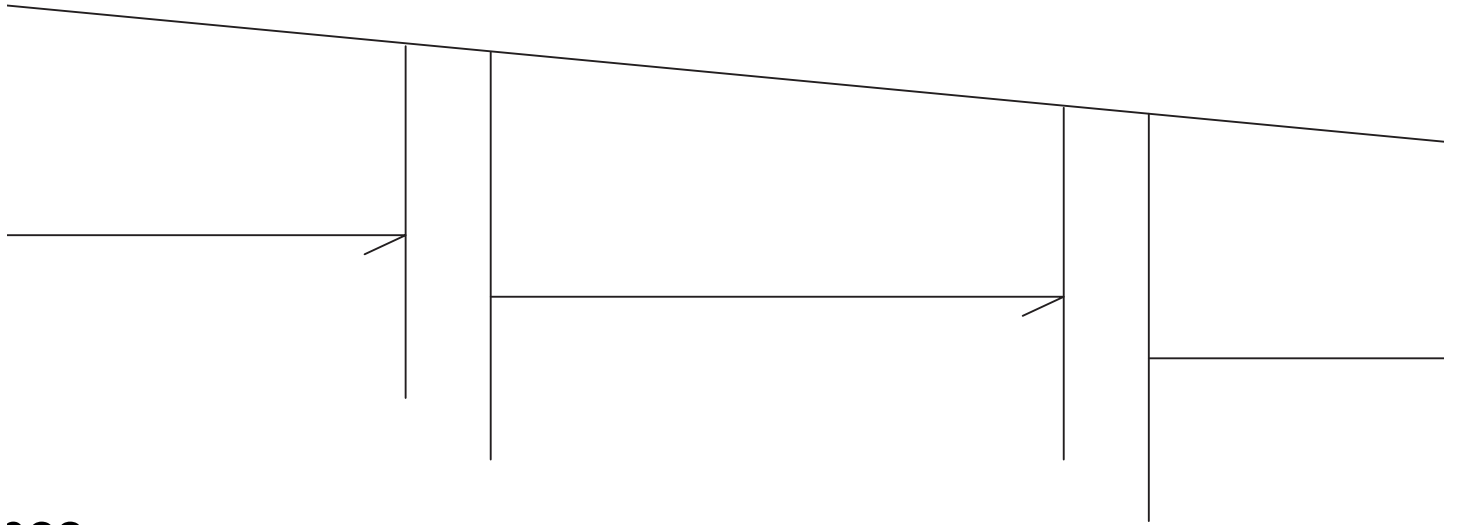




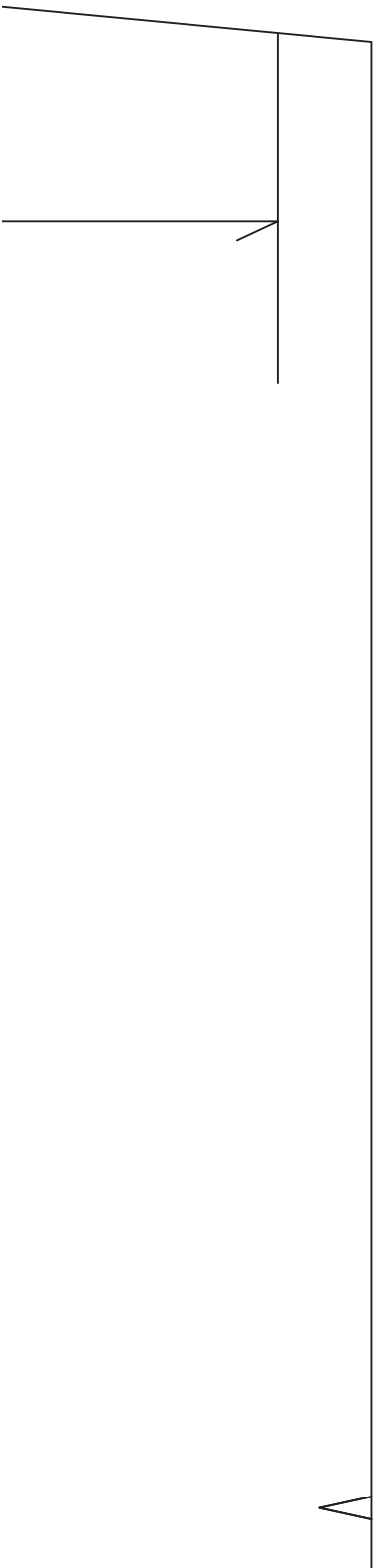


waist has 1cm seam allowance
finished with bias and hook (front) and eyelet
for closure





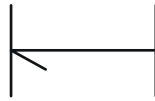
rice
ye (back) at sides



notch



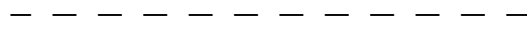
pleat + direction



button / hook and eye



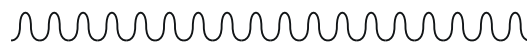
topstitching / embellishment



fold line



gathering



Measurements:

front length	96,5 cm
back length	99,5 cm
waist (circumference)	87 cm



CUT 1x LEFT

CUT 1x FABRIC

CUT 1x LINING



:k

^



lining has no seam here



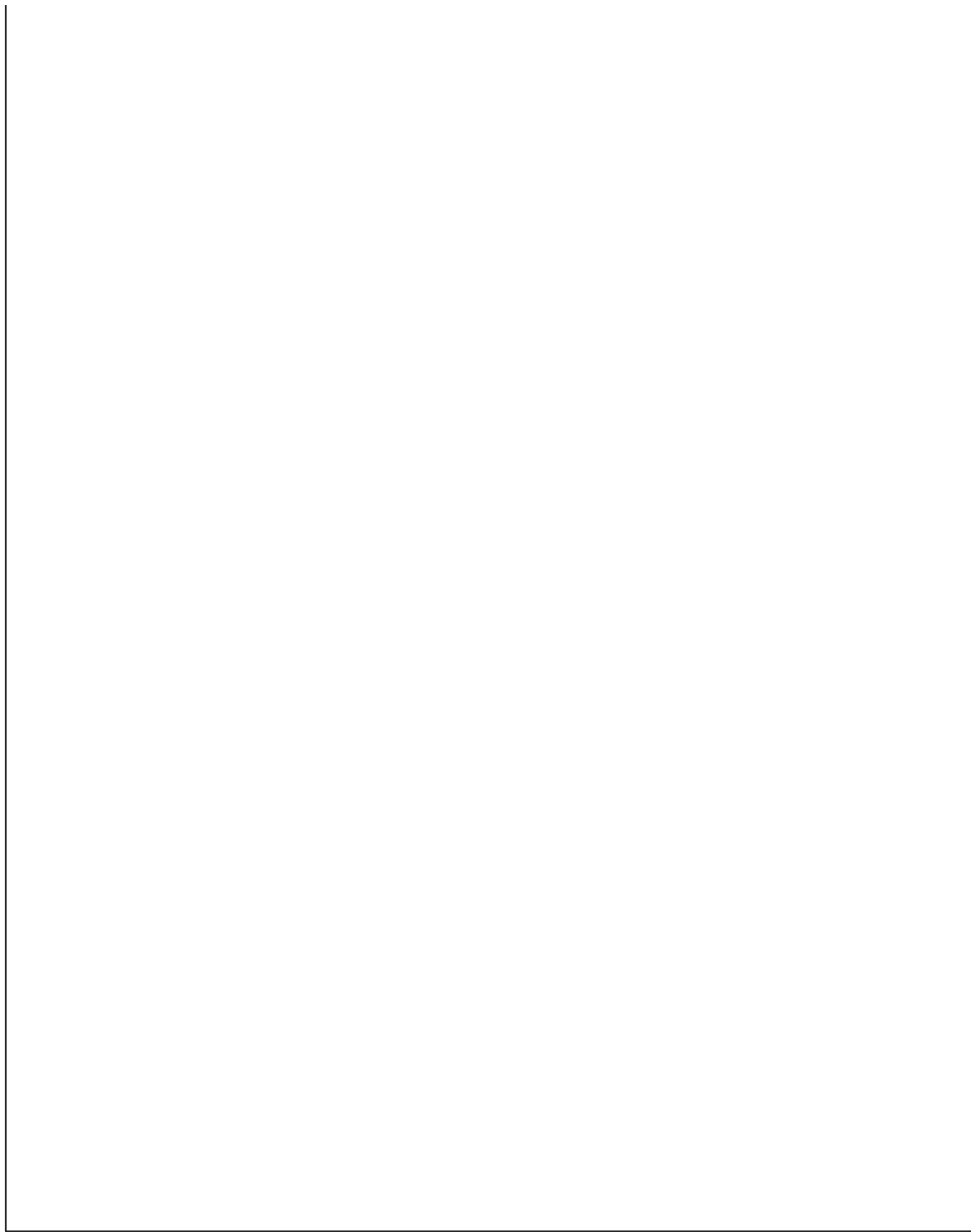
SKIRT (T11/371/B38)_BACK CENTER



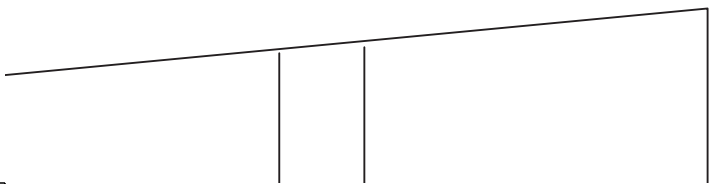
lining has no seam here

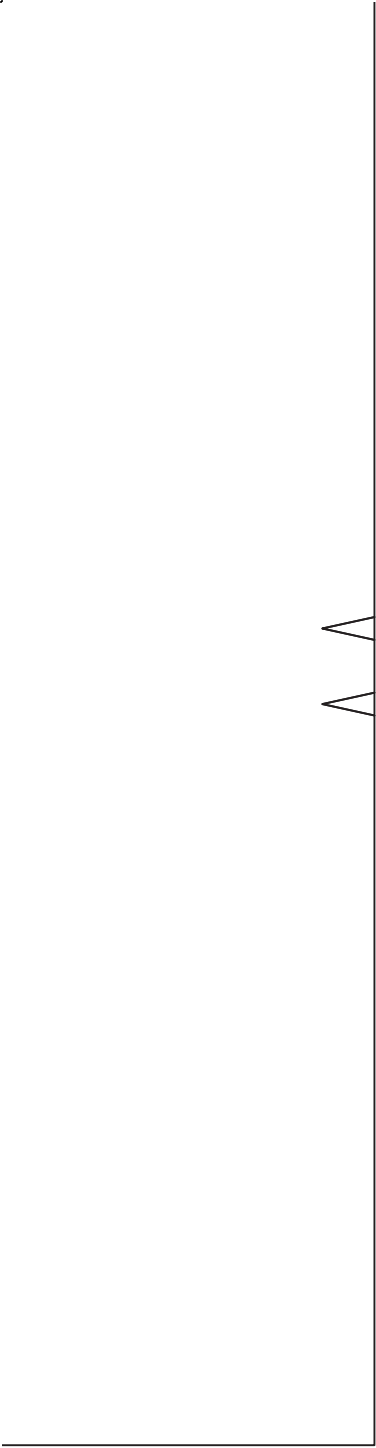
C.Bac

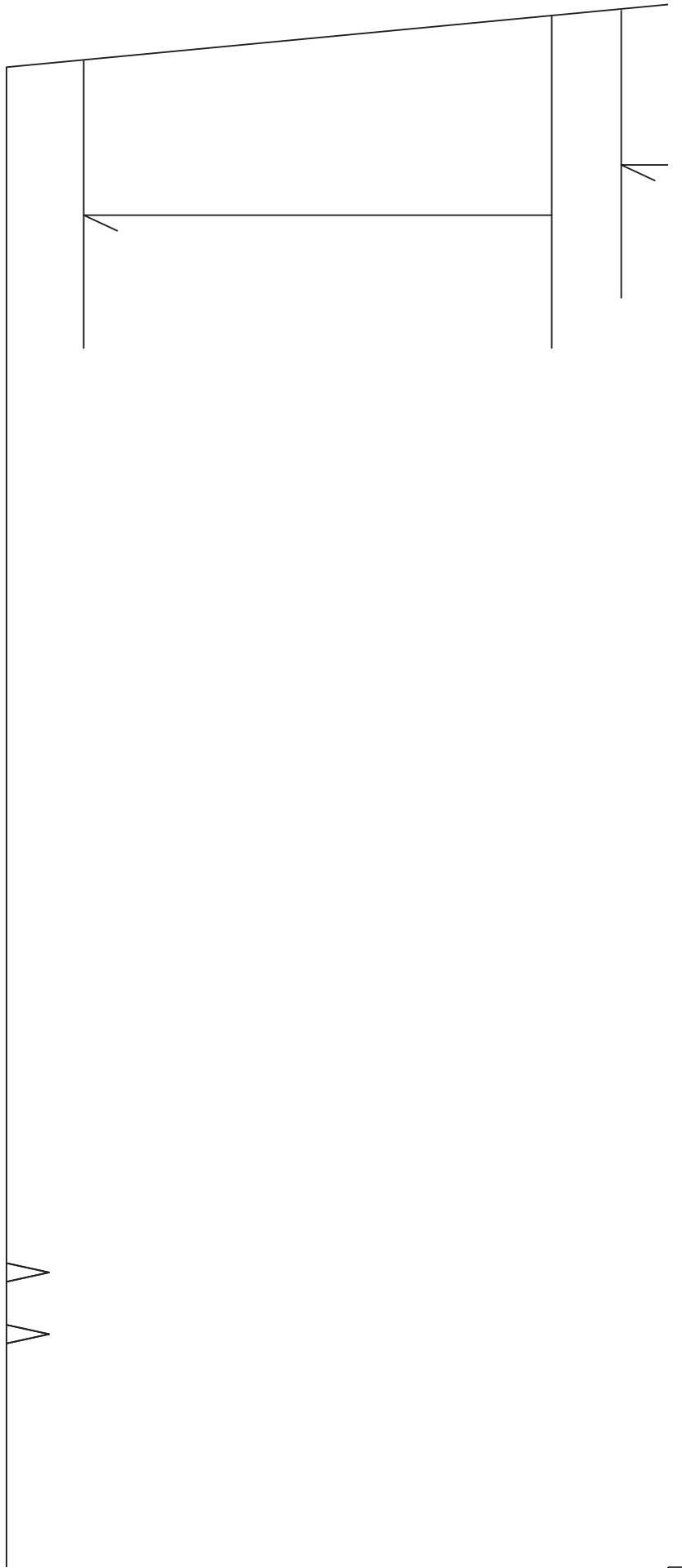


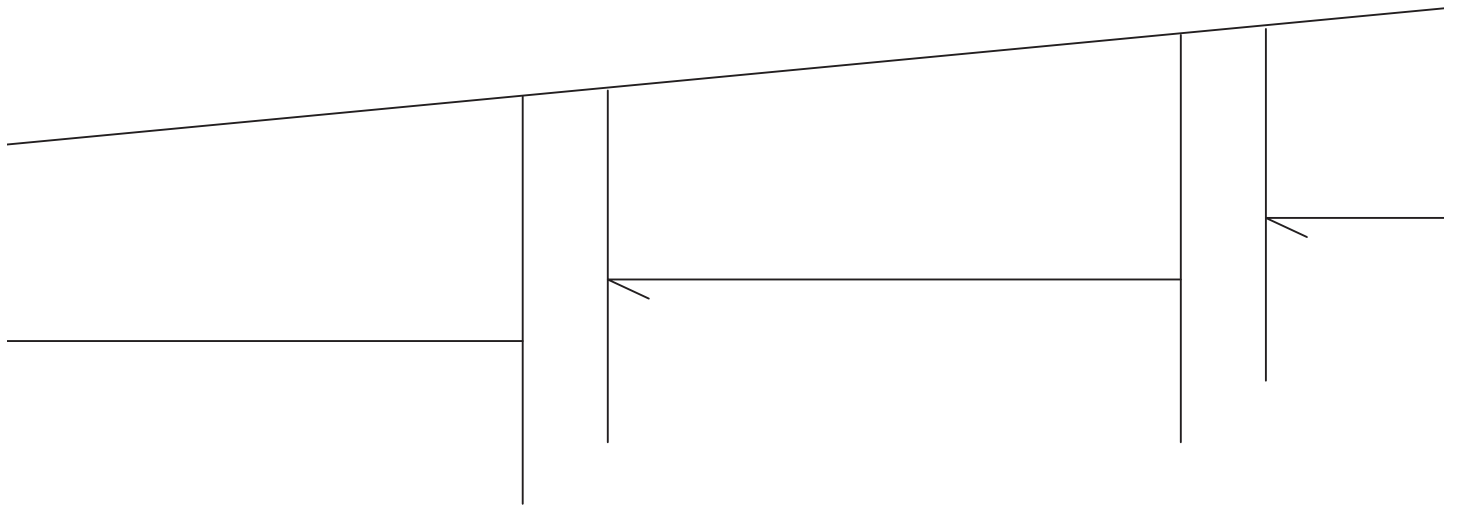










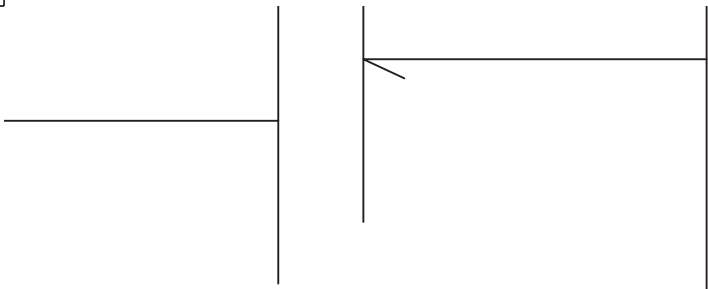


w
finished with bi:



aist has 1cm seam allowance
as and hook (front) and eye (back) at sides
for closure







C.Back

C I N I C

C I N I C

C I N I C

BACK CENTER RIGHI

CUI TX FABRIC

CUI TX LINING





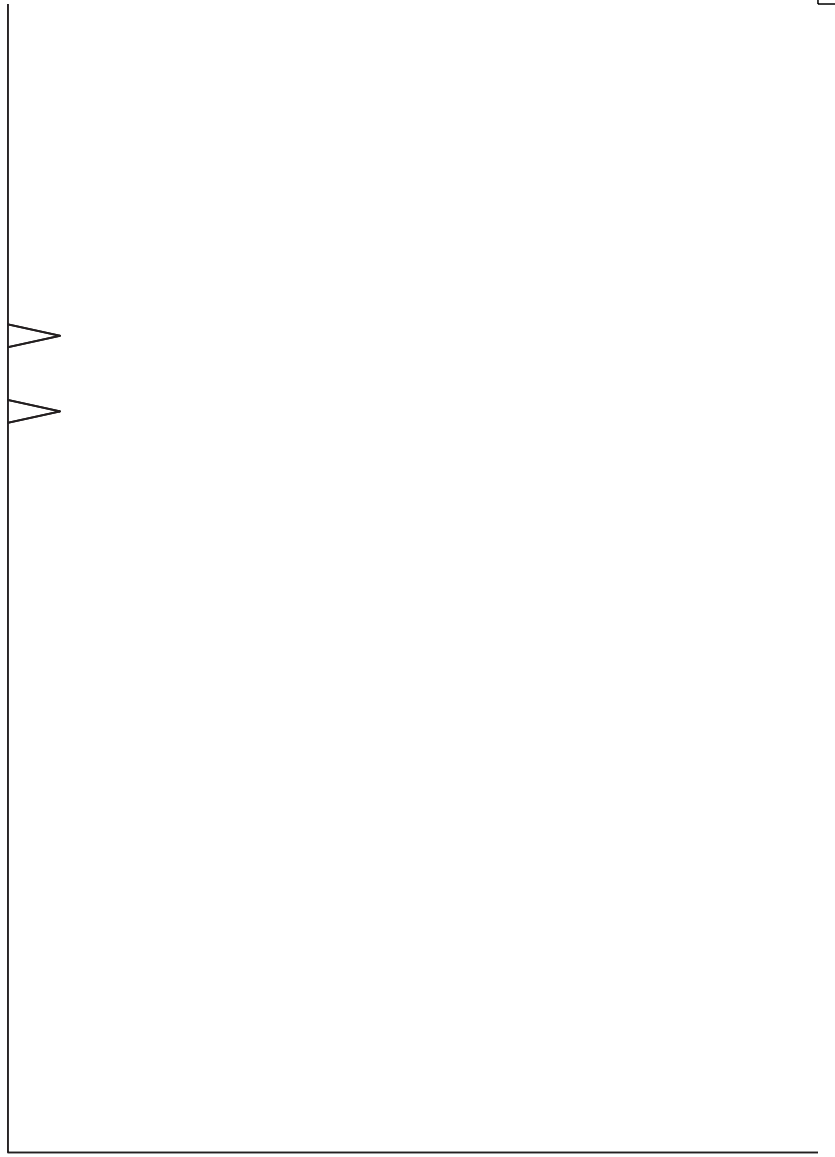
lining has no seam here

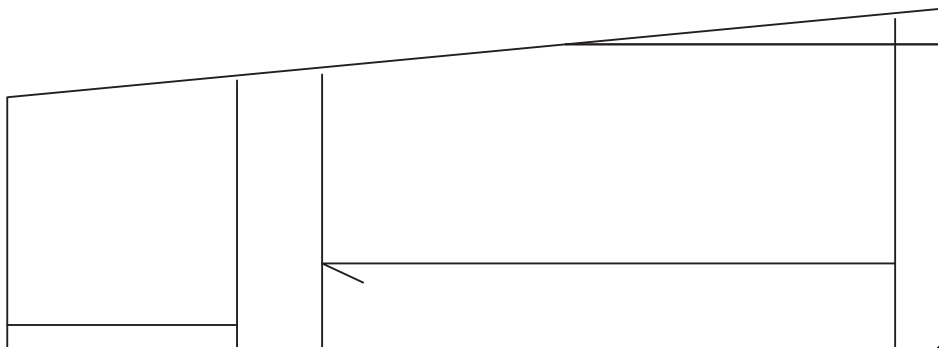
SKIRI (111/3/1/B38) -

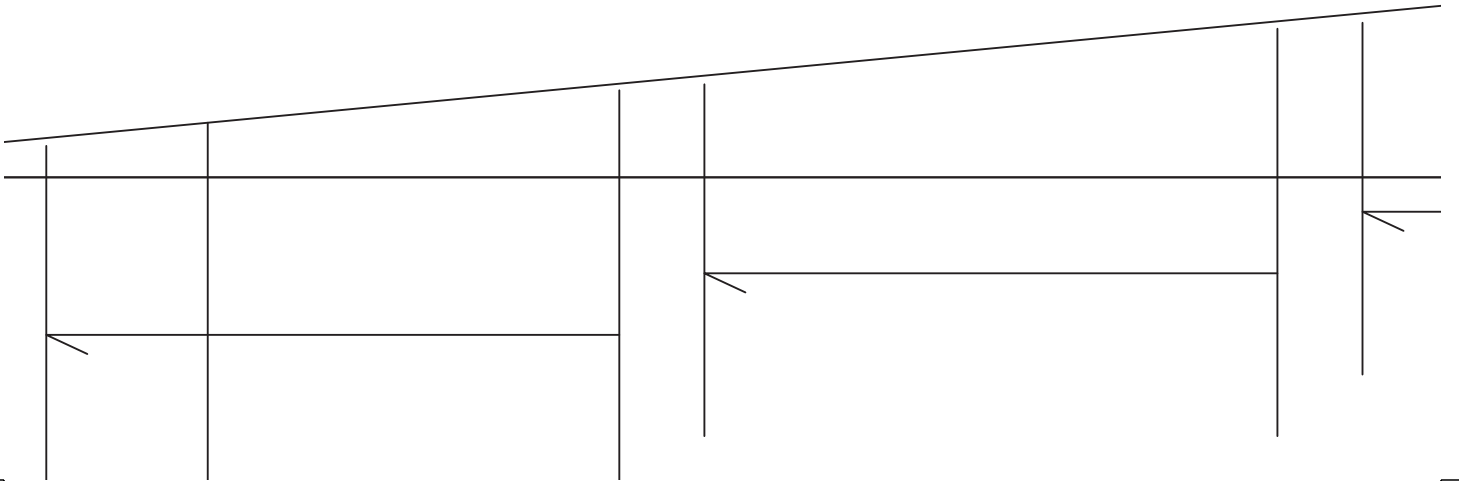
lining has no seam here

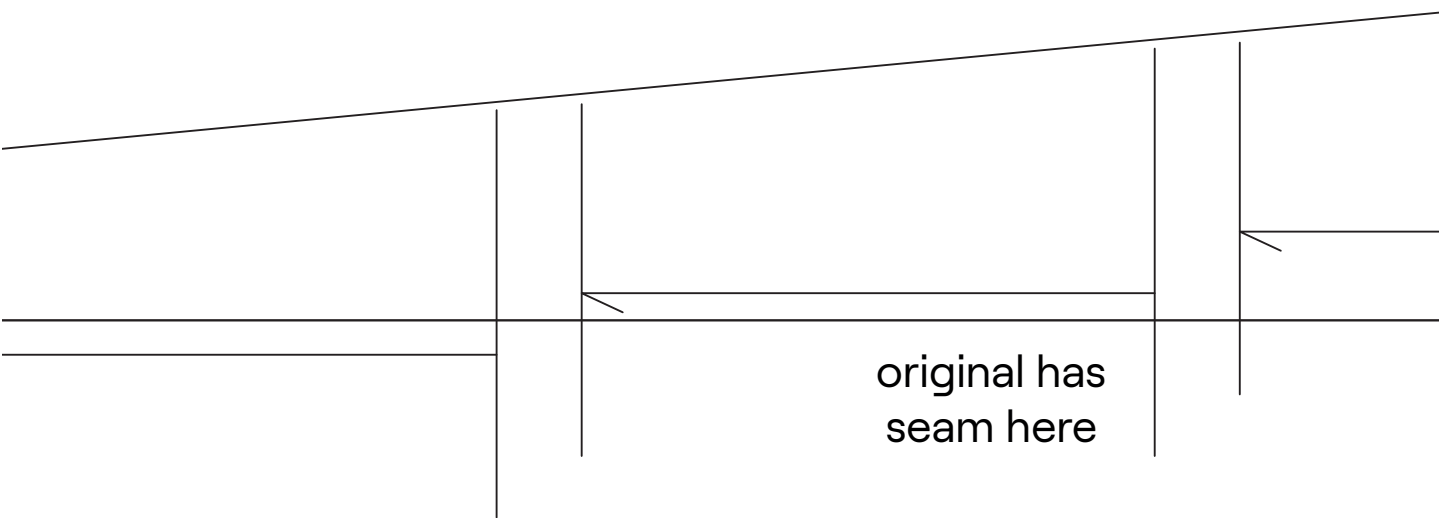




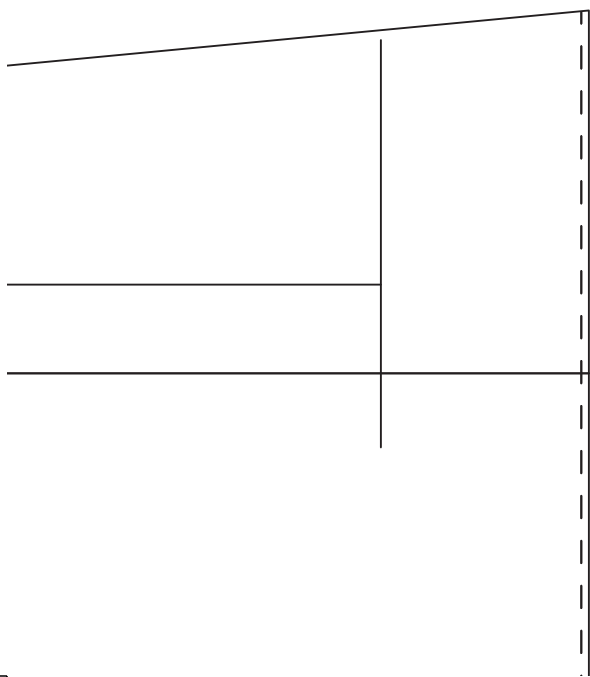








original has
seam here







waist
finished with bias a

has 1cm seam allowance
and hook (front) and eye (back) at sides
for closure



pocket opening:
attach to lining as finish

A



lining has no seam here



lining has seam here

1 2 3 4 5 6 7 8 9 10 11 12 13 14 15 16 17 18 19 20 21 22 23 24 25 26 27 28 29 30 31 32 33 34 35 36 37 38 39 40 41 42 43 44 45 46 47 48 49 50 51 52 53 54 55 56 57 58 59 60 61 62 63 64 65 66 67 68 69 70 71 72 73 74 75 76 77 78 79 80 81 82 83 84 85 86 87 88 89 90 91 92 93 94 95 96 97 98 99 100

(1/B38)_BACK SIDE RIGHI CUI 1X FABRIC CUI 1X LINING

n here







SKIRI (111/3)

lining has no sear



